

TEST REPORT

REPORT NO.: HV-12-00681X
PAGE: 1 OF 3
DATE: FEBRUARY 20, 2012

CHOOSE Nano Tech

9F-1, No.3, Zhongshan Rd., Beitou Dist., Taipei City

The following merchandise was submitted and identified by the vendor as :

Product Description : 9H Glass Coating
Style/Item No. : DLS
Manufacturer/Vendor : CHOOSE Nano Tech
Country of Origin : Taiwan
Note : new formula

We have tested the submitted sample(s) as requested and the following results were obtained :

Test Required : (According to client's test specification, please see following sheets in detail.)

Hardness by Pencil Test


Test Result :

-PLEASE SEE ATTACHED SHEETS-

Date of Receive : FEBRUARY 07, 2012

Date of Testing : FEBRUARY 07, 2012 ~ FEBRUARY 20, 2012

Signed for and on behalf of
SGS Taiwan Ltd.


Carlos Kao
Asst. Manager

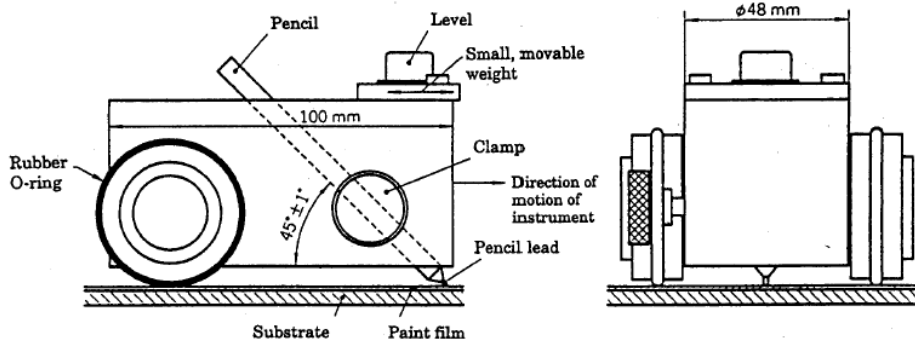
TEST REPORT

REPORT NO.: HV-12-00681X
 PAGE: 2 OF 3
 DATE: FEBRUARY 20, 2012

Hardness by Pencil Test

Test Equipment :

Name	Brand
Pencil	MITSU-BISHI uni



Lab Environmental Conditions :

Ambient temperature : 23±2°C
 Relative humidity : 50±5% RH

Test Method/ Specification :

JIS K5400(1990) Testing Methods for Paints (Scratch Hardness)

Test Condition :

The variety of pencil hardness :
 6B - 5B - 4B - 3B - 2B - B - HB - F - H - 2H - 3H - 4H - 5H - 6H - 7H - 8H - 9H
 Soft ←-----→ Hard
 Load : 1000 g

Test Result :

Above 9H

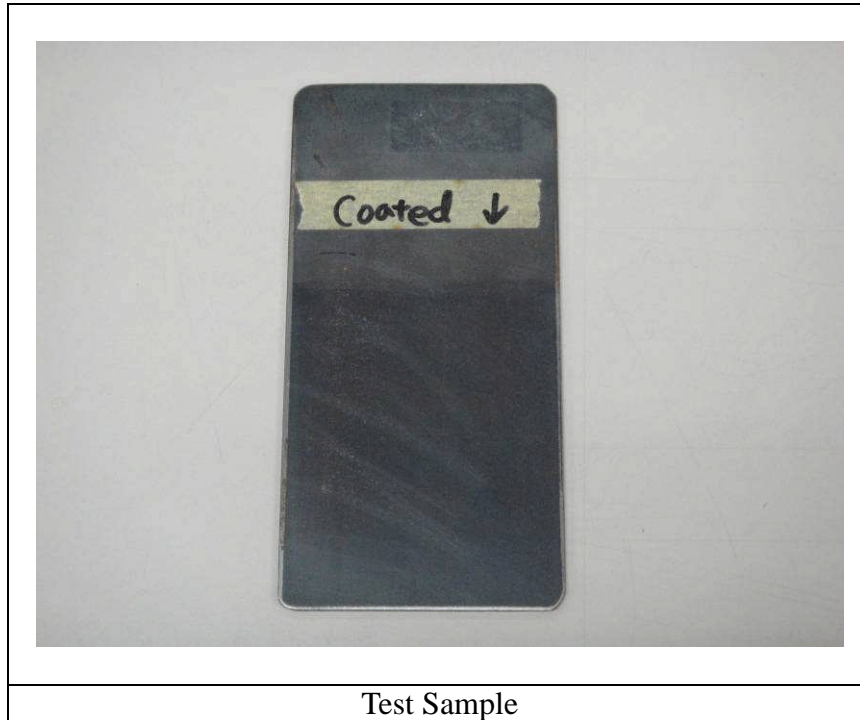
TEST REPORT

REPORT NO.: HV-12-00681X

PAGE: 3 OF 3

DATE: FEBRUARY 20, 2012

Test Photo:



— The End of Test Report —